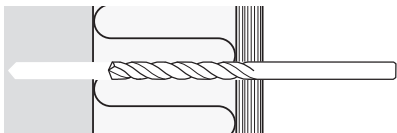
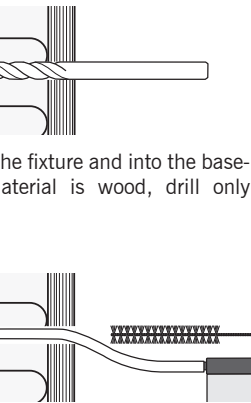
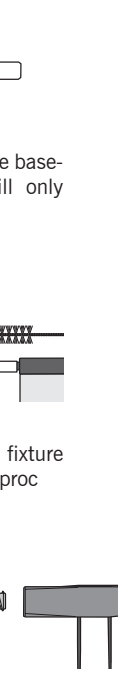
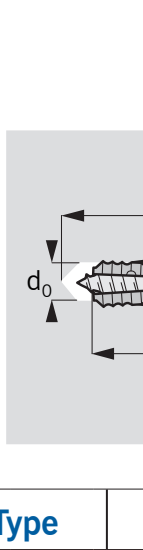


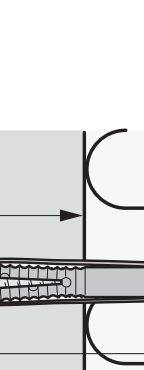
Installation:

1  Drill a hole through the fixture and into the base-material (If base-material is wood, drill only through fixture)

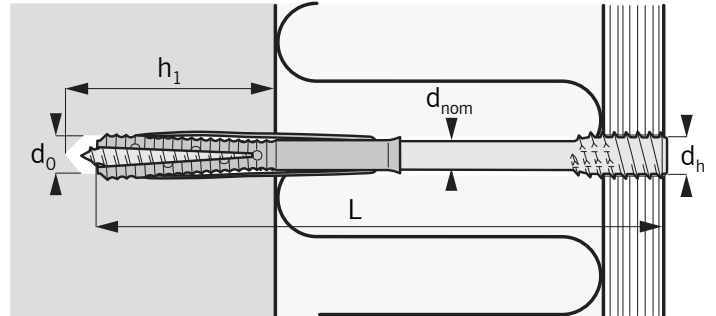
2  Clean the hole thoroughly. Determine the desired distance between fixture and material and choose the length of Toproc

3  Place a plug on Toproc. Hammer them both through fixture and into the building material.

4  Place the enclosed hexagon key in the drill chuck and mount Toproc

5  Toproc keeps fixture and material in the desired position

Distance screw for fixing without scotching of window and door frames, subconstructions etc. in all buildingmaterials



Type	Dimensions			Fixing		Load Capacities
	d_{nom}	L	d_h	d_0	h_1	N_{Rd}
Expandet Toproc Baby and Toproc	Outside diameter of anchor mm	Anchor length mm	Head diameter mm	Drill hole diameter mm	Depth of drilled hole (Min.) mm	Design resistance tension kN*
Baby 4,5x 60	4,5	60	8	6	40	1,50
Baby 4,5x 70	4,5	70	8	6	40	1,50
Baby 4,5x 80	4,5	80	8	6	40	1,50
Baby 4,5x 90	4,5	90	8	6	40	1,50
Baby 4,5x100	4,5	100	8	6	40	1,50
Baby 4,5x120	4,5	120	8	6	40	1,50
Toproc 6x 60•	6	60	10	8	50	1,50
Toproc 6x 80•	6	80	10	8	50	1,50
Toproc 6x100•	6	100	10	8	50	1,50
Toproc 6x120•	6	120	10	8	50	1,50
Toproc 6x150	6	150	10	8	50	1,50
Toproc 6x180	6	180	10	8	50	1,50
Toproc 6x200	6	200	10	8	50	1,50
Toproc 6x230	6	230	10	8	50	1,50
Toproc 6x250	6	250	10	8	50	1,50
Toproc 6x300	6	300	10	8	50	1,50

* Design resistance for tension is valid for a single anchor in concrete C20/25 not influenced by edge distance and/or spacing
 Partial safety factor for material (γ_m) is included. Partial safety factor for actions (γ_f) must be applied according to national building code.
 • Also available in Stainless Steel A2

Important: See Expandet's "Principles for fastening" for general information on fastening as well as information on limited liability. (Can be downloaded at www.expandet.com)

Advantages:

Secure and effective mounting without scotching.
 Hexagon socket and bit - easy and fast fixing
 Toproc Special Plug prevents thermal bridge.

Materials:

Expandet Toproc and Toproc Baby are produced in steel, zinc plated min. 5 μ m.

Accessories:

Toproc Covercaps and sleeve for Covercaps.
 Self-adhesive FastCap covercaps.
 Expandet Super® for solid brick and concrete.
 Expandet Super with long expansion for porous materials.
 At risk of thermal bridge use Toproc Special Plug



EXPANDET SCREW ANCHORS A/S
 Svendebuen 2-6
 DK-3230 Græsted
 Denmark

Telephone: +45 70 22 79 79
 Telefax: +45 70 22 79 89

Version 09.001

www.expandet.com
expandet@expandet.dk

Graphic: Vedkom /Expandet
 ©Expandet Screw Anchors A/S, 2006
 All rights reserved