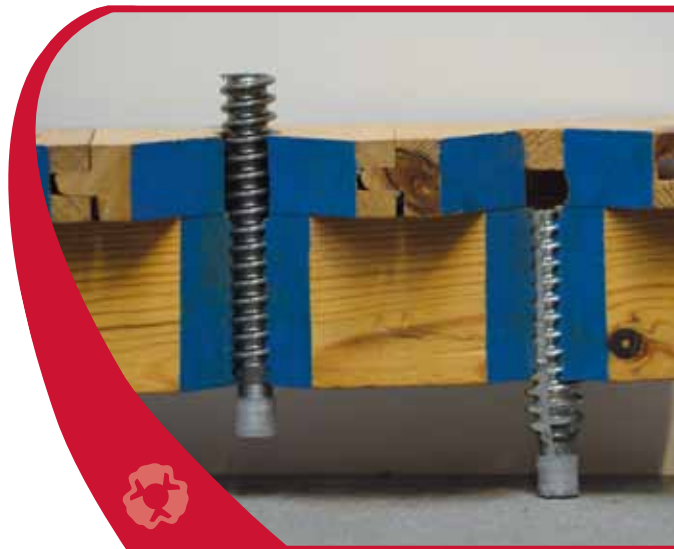


Expandet Gulv-Jack

Gulv-Jack is the indispensable product for the professionals. It is a support screw for alignment, leveling and supporting the floor joists under the existing floor.



ADVANTAGES

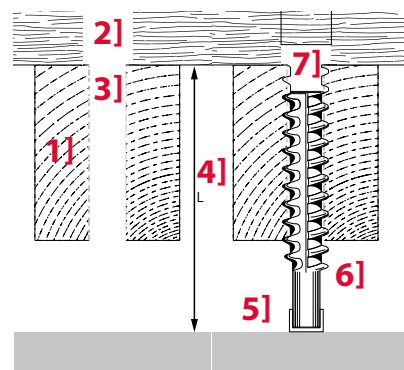
- Large outer diameter and small core, providing high load capacity in the floor joist, which is carrying the floor load.
- Thread and chip breaker reduces expansion pressure in the drilled hole and cuts deep thread in floor joist without causing any splittings, even if it is close to the edge of the joist.
- It is supplied with sound absorbing casing on the tip.
- There is a 6 mm hexagonal mounting hole for installation key/tool.
- Designed with special reference to high compressive strength when installed in floor joists.
- For fine it is possible to insert hex wrench, Brace, ratchet or T-adjustment tool.

Load capacities

Min. Embedment Length in floor joist mm	Base load [◇] kg
50	900
25	450
13	250

◇ The above mentioned load capacities are valid for pinewood using Ø 12 mm drill.

INSTALLATION:



- 1] Existing floor joist. If needed, use a metal detector finding metal/nails. They can be covered. If there is uncertainty drill Ø 2 mm for inspection
- 2] Drill Ø 20 mm hole for the Wooden Plug (Ø 19,7 for perfect fitting)
- 3] Drill Ø 12 mm hole through the floor joist. If the joist is very hard or if there are knots, use Ø 13 mm drill. This will not reduce compressive strength
- 4] Measure the distance from the top of the floor joist to the surface of the concrete (L). Choose the right length of Gulv-Jack. When installing the Gulv-Jack the thread shall have at least have a grip on 25 mm when the floor is levelled
- 5] Put on the supplied sound absorbing casing on the tip of the Floor Jack.
- 6] The hexagon tool is inserted in a powerfull drill machine with slow rotation. The Floor Jack can now be screwed in down against the concrete floor, and the Floor Jack is ready to be adjusted.
- 7] The Wooden Plug is placed in the floor/hole. Sand and varnish the Wooden Plug with the floor as desired

Expandet Gulv-Jack



EXPANDET GULV-JACK incl. silencer (Technical Sheet No. 510)

TYPE DIMENSION MM	DRILL DIA. IN FLOOR MM	DRILL DIA. IN FLOOR JOIST MM	EXPANDET ARTICLE NO.	EAN 13 PER BOX
60	20	12	920060	5708620098210
80	20	12	920080	5708620098227
100	20	12	920100	5708620098234
120	20	12	920120	5708620098241
150	20	12	920150	5708620098395
180	20	12	920180	5708620098401
200	20	12	920200	5708620098586

ACCESSORIES

Expandet Wood Plug for Gulv-Jack



EXPANDET WOOD PLUG FOR GULV-JACK

TYPE DIMENSION	EXPANDET ARTICLE NO.	EAN 13 PER BOX
BEECH	920002	5708620098265
PINE	920003	5708620098258
OAK	920004	5708620098272
ASH	920005	5708620200668

Expandet Hexagon Key/tool for Gulv-Jack

Expandet Hexagon Key is used for fixing and adjusting Floor Jack.



EXPANDET HEXAGON KEY/TOOL FOR GULV-JACK

TYPE DIMENSION	EXPANDET ARTICLE NO.	EAN 13 PER BOX
HEXAGON KEY	920008	5708620201993